

TECNICO[®]
N A T U R A L L I G H T

Attica

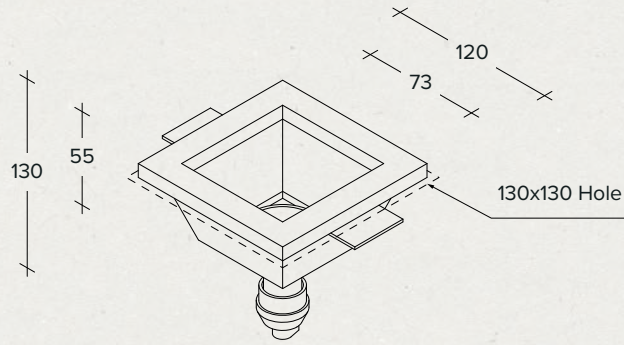
Tecnico R&D

_T04

_T28 Glass

_T177 Orientabile

T04 Attica

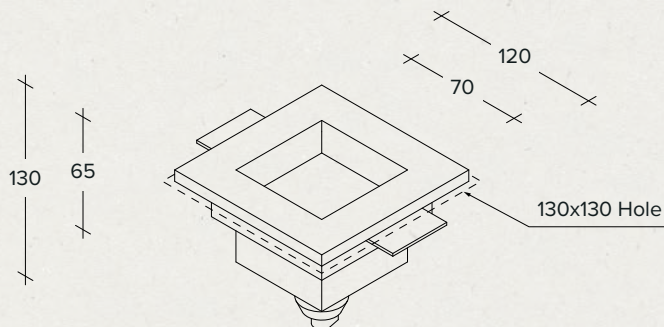


Recessed plaster spotlight.

Designed by	Tecnico R&D
Material / Materiale / Material / Material / Материал	Plaster / Gesso / Gips / Yeso / Гипсовый
Light source / Fonte di luce / Lichtquelle / Fuente de luz / Источник света	GU10 1 x 40W
Type-approvals / Omologazioni / Zulassungen / Homologaciones / Разрешения	   



T28 Attica Glass

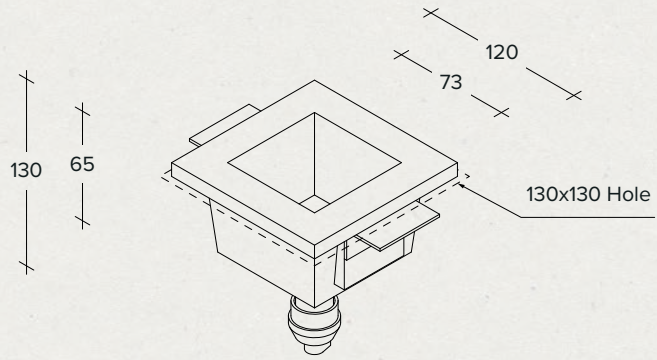


Invisible recessed fitting for false ceilings

Designed by	Tecnico R&D
Material / Materiale / Material / Material / Материал	Plaster and glass / Gesso e vetro / Gips und Glas / Yeso y vidrio / Гипс и стекло
Light source / Fonte di luce / Lichtquelle / Fuente de luz / Источник света	GU10 1 x 40W
Type-approvals / Omologazioni / Zulassungen / Homologaciones / Разрешения	   



T177 Attica Orientabile



Recessed plaster spotlight with adjustable light point.



Designed by	Tecnico R&D
Material / Materiale / Material / Material / Материал	Plaster / Gesso / Gips / Yeso / Гипсовый
Light source / Fonte di luce / Lichtquelle / Fuente de luz / Источник света	GU10 1 x 40W
Type-approvals / Omologazioni / Zulassungen / Homologaciones / Разрешения	   



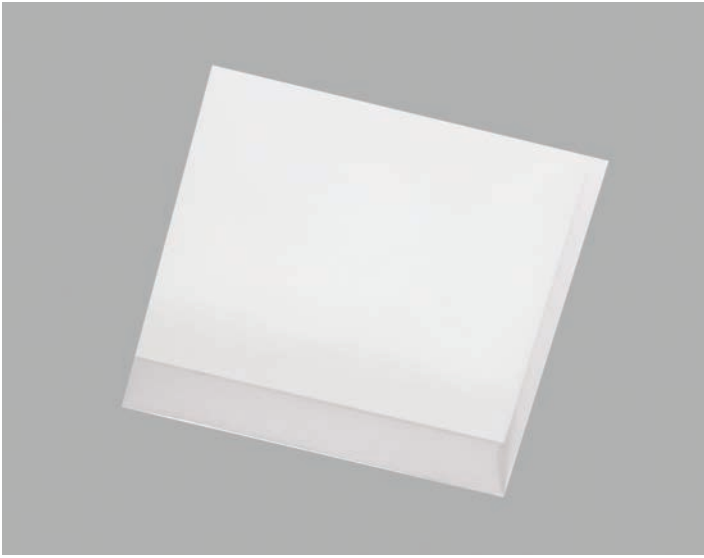
Example of painted product
Esempio di prodotto verniciato
Beispiel für das gestrichene Produkt
Ejemplo de producto pintado
Пример окрашенного прибора



T04 Attica

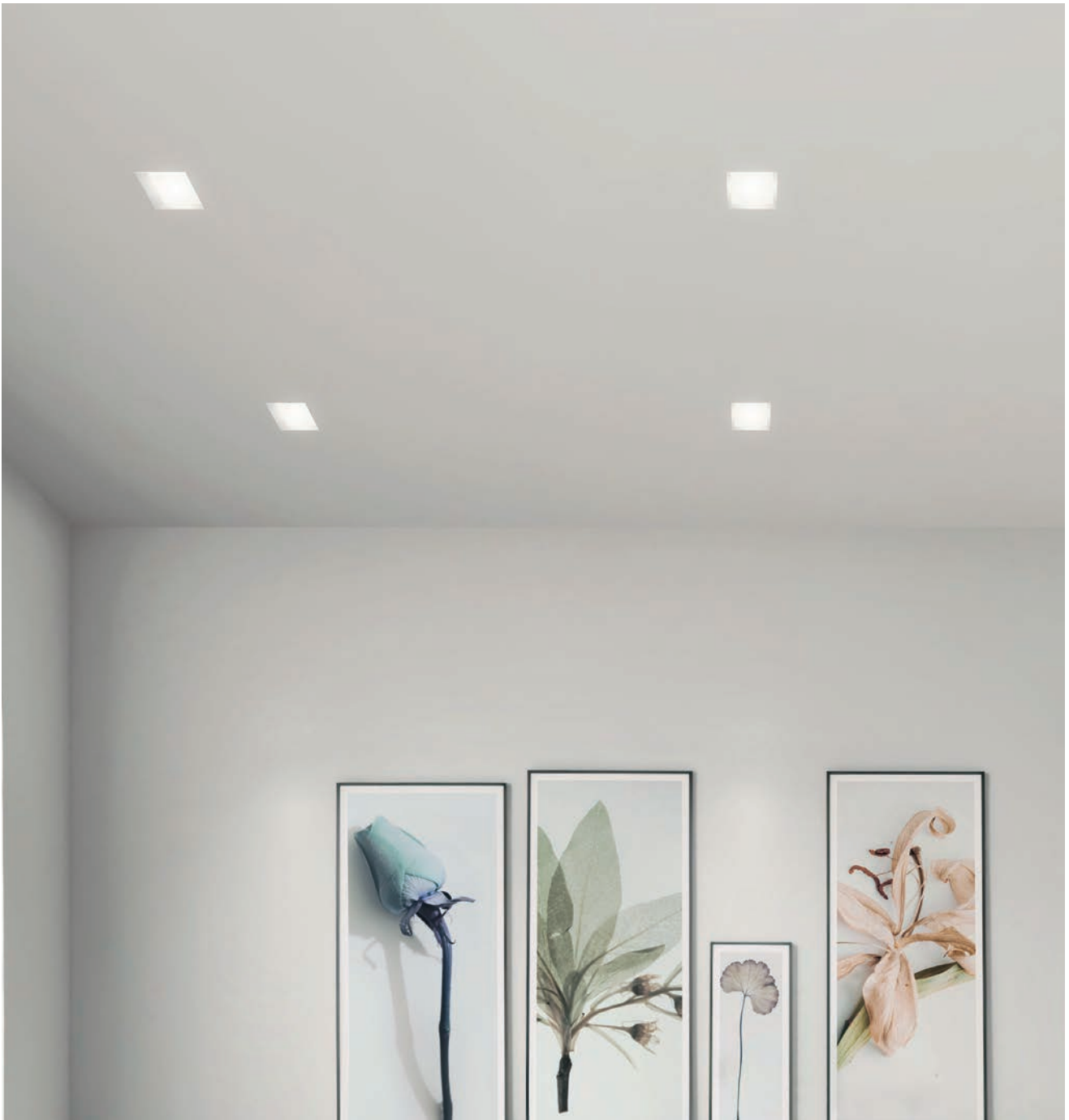
Recessed plaster spotlight
GU10 - 1x40W
w70 x d70 mm lighted hole





T28 Attica Glass

Invisible recessed fitting for false ceilings
GU10 – 1x40W
w70 x d70 mm lighted hole





T177 Attica orientabile

Recessed plaster spotlight
with adjustable light point
GU10 – 1x40W
w70 x d70 mm lighted hole

