

TECNICO[®]
N A T U R A L L I G H T

Cicladi

_blank design studio

_T385

_T386

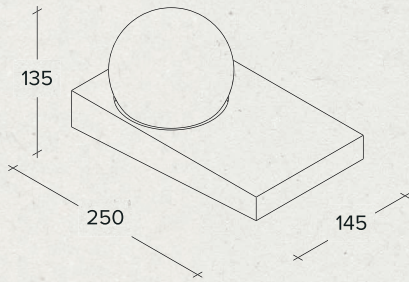
_T396

_T387

_T388

_T389

T385 Cicladi

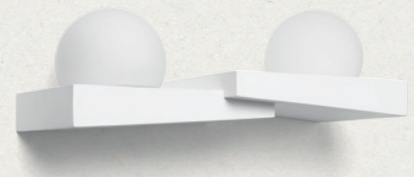
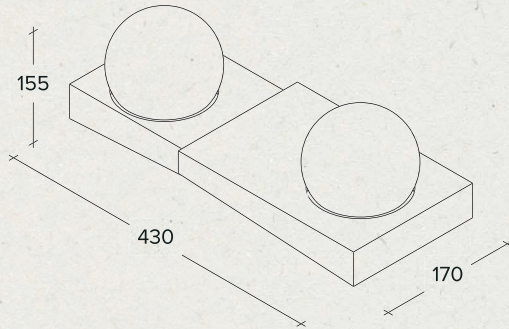


Plaster wall lamp with one round blown glass
(Modello depositato)

Designed by	_blank design studio		
Material / Materiale / Material / Material / Материал	Plaster and glass / Gesso e vetro / Gips und Glas / Yeso y vidrio / Гипс и стекло		
Light source / Fonte di luce / Lichtquelle / Fuente de luz / Источник света	GX53 1 x 10W		
Type-approvals / Omologazioni / Zulassungen / Homologaciones / Разрешения	CE	F	LED BULB OK



T386 Cicladi

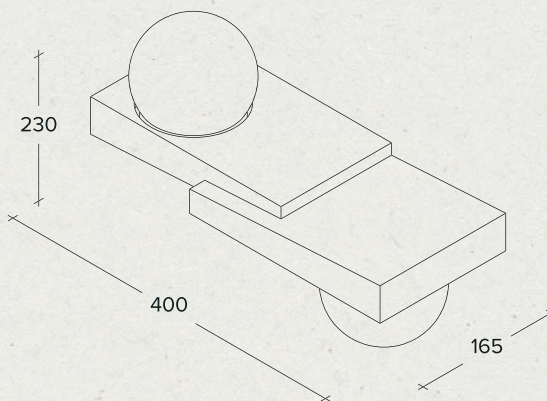
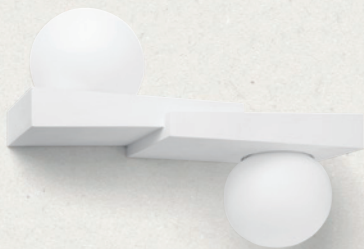


Plaster wall lamp with two round blown glass
(Modello depositato)

Designed by	_blank design studio		
Material / Materiale / Material / Material / Материал	Plaster and glass / Gesso e vetro / Gips und Glas / Yeso y vidrio / Гипс и стекло		
Light source / Fonte di luce / Lichtquelle / Fuente de luz / Источник света	GX53 2 x 10W		
Type-approvals / Omologazioni / Zulassungen / Homologaciones / Разрешения	CE	F	LED BULB OK



T396 Cicladi



Up/down lights plaster wall lamp with two round blown glass
(Modello depositato)

Designed by

_blank design studio

**Material / Materiale / Material /
Material / Материал**

**Plaster and glass / Gesso e vetro /
Gips und Glas / Yeso y vidrio / Гипс
и стекло**

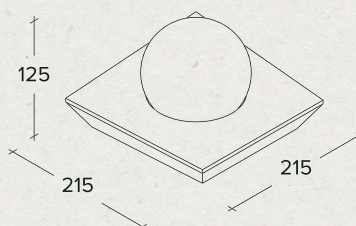
**Light source / Fonte di luce /
Lichtquelle / Fuente de luz /
Источник света**

GX53
2 x 10W

**Type-approvals / Omologazioni /
Zulassungen / Homologaciones /
Разрешения**



T387 Cicladi



Plaster ceiling lamp with one round blown glass
(Modello depositato)

Designed by

_blank design studio

**Material / Materiale / Material /
Material / Материал**

**Plaster and glass / Gesso e vetro /
Gips und Glas / Yeso y vidrio / Гипс
и стекло**

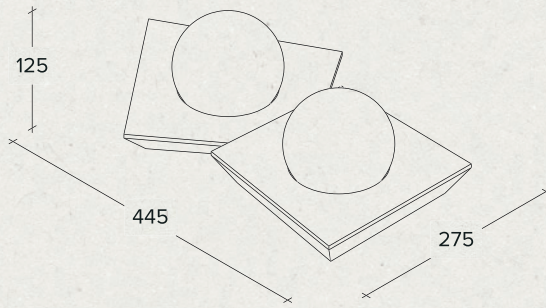
**Light source / Fonte di luce /
Lichtquelle / Fuente de luz /
Источник света**

GX53
1 x 10W

**Type-approvals / Omologazioni /
Zulassungen / Homologaciones /
Разрешения**



T388 Cicladi

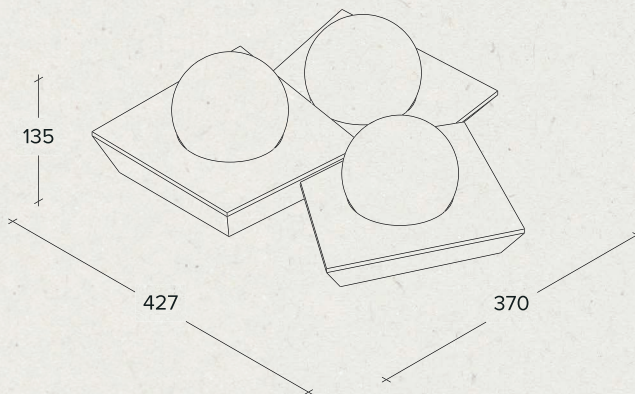


Plaster ceiling lamp with two round blown glass
(Modello depositato)

Designed by	_blank design studio	
Material / Materiale / Material / Material / Материал	Plaster and glass / Gesso e vetro / Gips und Glas / Yeso y vidrio / Гипс и стекло	
Light source / Fonte di luce / Lichtquelle / Fuente de luz / Источник света	GX53 2 x 10W	
Type-approvals / Omologazioni / Zulassungen / Homologaciones / Разрешения	  	



T389 Cicladi



Plaster ceiling lamp with two round blown glass
(Modello depositato)

Designed by	_blank design studio	
Material / Materiale / Material / Material / Материал	Plaster and glass / Gesso e vetro / Gips und Glas / Yeso y vidrio / Гипс и стекло	
Light source / Fonte di luce / Lichtquelle / Fuente de luz / Источник света	GX53 3 x 10W	
Type-approvals / Omologazioni / Zulassungen / Homologaciones / Разрешения	  	









T385 Cicladi

Plaster wall lamp with one round blown glass
GX53 – 1x10W
w250 x d145 x h135 mm





↑ → →

T386 Cicladi

Plaster wall lamp
with two round blown glass
GX53 – 2x10W
w430 x d170 x h155 mm





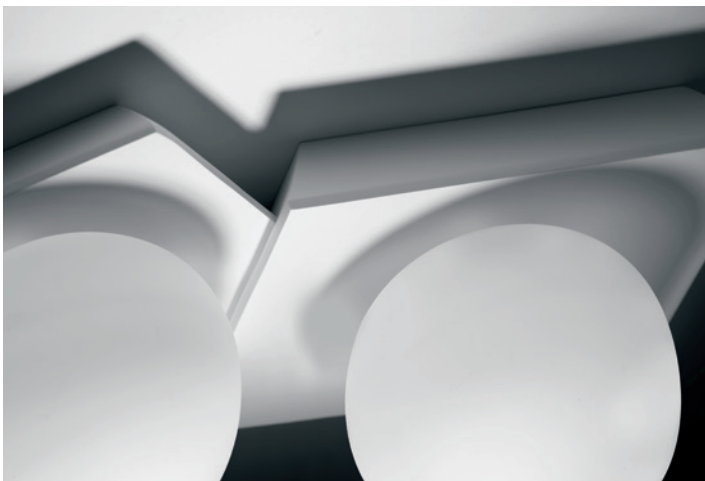
T396 Cicladi

Up/down lights plaster wall lamp
with two round blown glass
GX53 - 2x10W
w400 x d165 x h230 mm



↓ → →
T387 Cicladi
Plaster ceiling lamp
with one round blown glass
GX53 - 1x10W
w215 x d215 x h125 mm





T388 Cicladi

Plaster ceiling lamp
with two round blown glass
GX53 - 2x10W
w445 x d275 x h125 mm



↑ → →

T389 Cicladi

Plaster ceiling lamp
with three round blown glass
GX53 - 3x10W
w427 x d370 x h135 mm

