

TECNICO[®]
N A T U R A L L I G H T

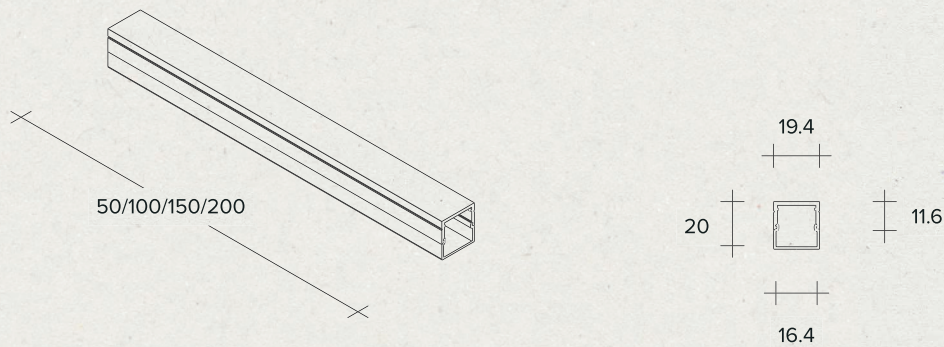
Methoni

Tecnico R&D

_T309.AL

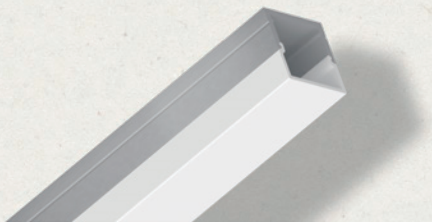
T309 Methoni

White



The system is made of aluminium coated extruded aluminium with an Opal or Satin cover

Designed by	Tecnico R&D
Mounting / Montaggio / Montage / Montaje / сборка	Surface (T309)
Material / Materiale / Material / Material / Материал	Aluminum / Alluminio / Aluminium / Aluminio /Алюминий
Light source / Fonte di luce / Lichtquelle / Fuente de luz / Источник света	LED strip



Model	cm	Cover	Finish
T309.AL.50.OPAL	50	Opal	White
T309.AL.100.OPAL	100	Opal	White
T309.AL.150.OPAL	150	Opal	White
T309.AL.200.OPAL	200	Opal	White

T133.w / T133.al TAGLIO

Profile cut-to-size service, according to the drawing provided / Servizio di taglio del profilo secondo disegno fornito /
 Profilzuschnitt nach gelieferter Zeichnung / Servicio de corte del perfil según el diseño proporcionado / Услуги резки
 профиля на основании предоставленного чертежа





T309 Methoni

Extruded aluminium system with opal cover
w19,4 x h20 mm
length: 500/1000/1500/2000 mm