

TECNICO[®]
N A T U R A L L I G H T

Syme tonda

_blank design studio

_T438

_T439

_T440

_T441

_T446

_T447

_T448

_T449

T438 Syme tonda
Aluminium ring - **Matte black**



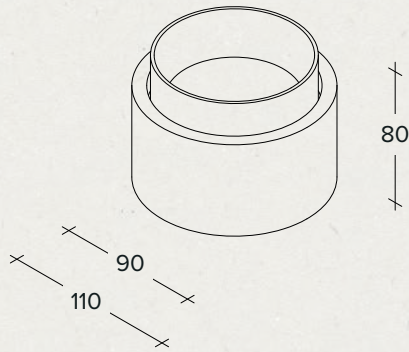
T439 Syme tonda
Aluminium ring - **Matte white**



T440 Syme tonda
Aluminium ring - **Brushed brass**



T441 Syme tonda
Aluminium ring - **Brushed copper**



Plaster ceiling lamp with aluminium ring in different finishings

Designed by	_blank design studio
Material / Materiale / Material / Material / Материал	Plaster and aluminium / Gesso e alluminio / Gips und Aluminium / Yeso y aluminio / Гипс и алюминий
Light source / Fonte di luce / Lichtquelle / Fuente de luz / Источник света	GX53 1 x 10W
Type-approvals / Omologazioni / Zulassungen / Homologaciones / Разрешения	   

T446 Syme tonda
Aluminium ring - **Matte black**



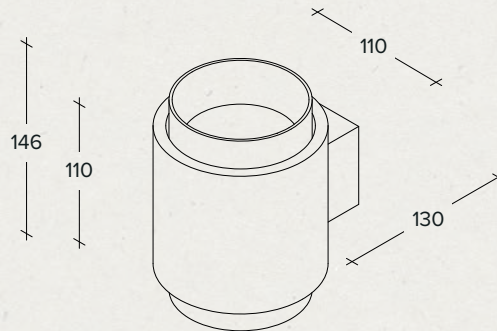
T447 Syme tonda
Aluminium ring - **Matte white**



T448 Syme tonda
Aluminium ring - **Brushed brass**



T449 Syme tonda
Aluminium ring - **Brushed copper**



Plaster wall lamp for indirect lighting with aluminium ring in different finishings

Designed by	_blank design studio
Material / Materiale / Material / Material / Материал	Plaster and aluminium / Gesso e alluminio / Gips und Aluminium / Yeso y aluminio / Гипс и алюминий
Light source / Fonte di luce / Lichtquelle / Fuente de luz / Источник света	GX53 2 x 10W
Type-approvals / Omologazioni / Zulassungen / Homologaciones / Разрешения	   



↓ →
T438 Syme
Plaster ceiling lamp with
matte black painted ring finishing
GX53 – 1x10W
Ø110 x h80 mm





T439 Syme

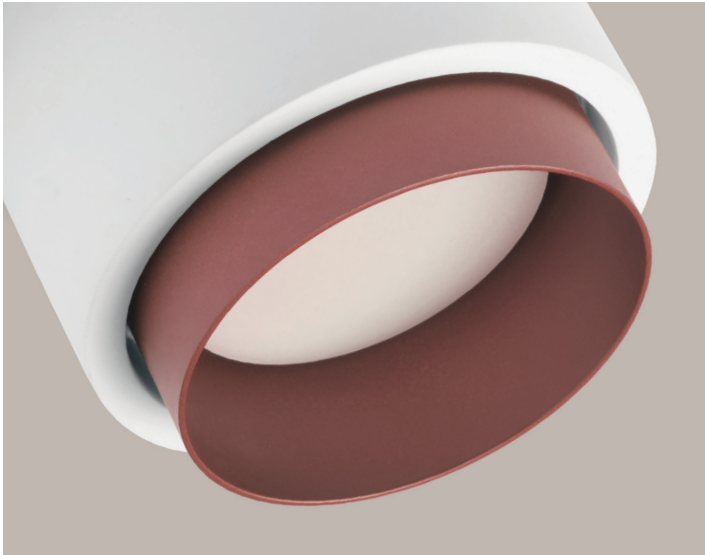
Plaster ceiling lamp with
matte white painted ring finishing
GX53 - 1x10W
Ø110 x h80 mm



T440 Syme

Plaster ceiling lamp with
brushed brass ring finishing
GX53 – 1x10W
Ø110 x h80 mm





T441 Syme

Plaster ceiling lamp with
brushed copper ring finishing
GX53 - 1x10W
Ø110 x h80 mm





↑ → →

T446 Syme

Plaster wall lamp with
matte black painted ring finishing
GX53 - 2x10W
w110 x d130 x h146 mm





← ← ↓

T447 Syme

Plaster wall lamp with
matte white painted ring finishing
GX53 – 2x10W
w110 x d130 x h146 mm



↓ → →
T448 Syme
Plaster wall lamp with
brushed brass ring finishing
GX53 - 2x10W
w110 x d130 x h146 mm





← ← ↑

T449 Syme

Plaster wall lamp with
brushed copper ring finishing
GX53 – 2x10W
w110 x d130 x h146 mm