

TECNICO[®]
N A T U R A L L I G H T

Pirgos

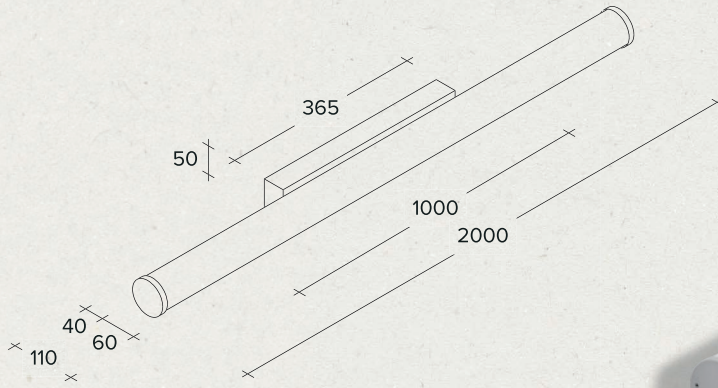
Tecnico R&D

_T311.10 / T311.11


_T311.30 / T311.31

_T311.50

T311.10 / T311.10D / T311.11 / T311.11D Pirgos



Opal polymeric wall/ceiling lamp.
Grey painted aluminium base with built-in power supply.

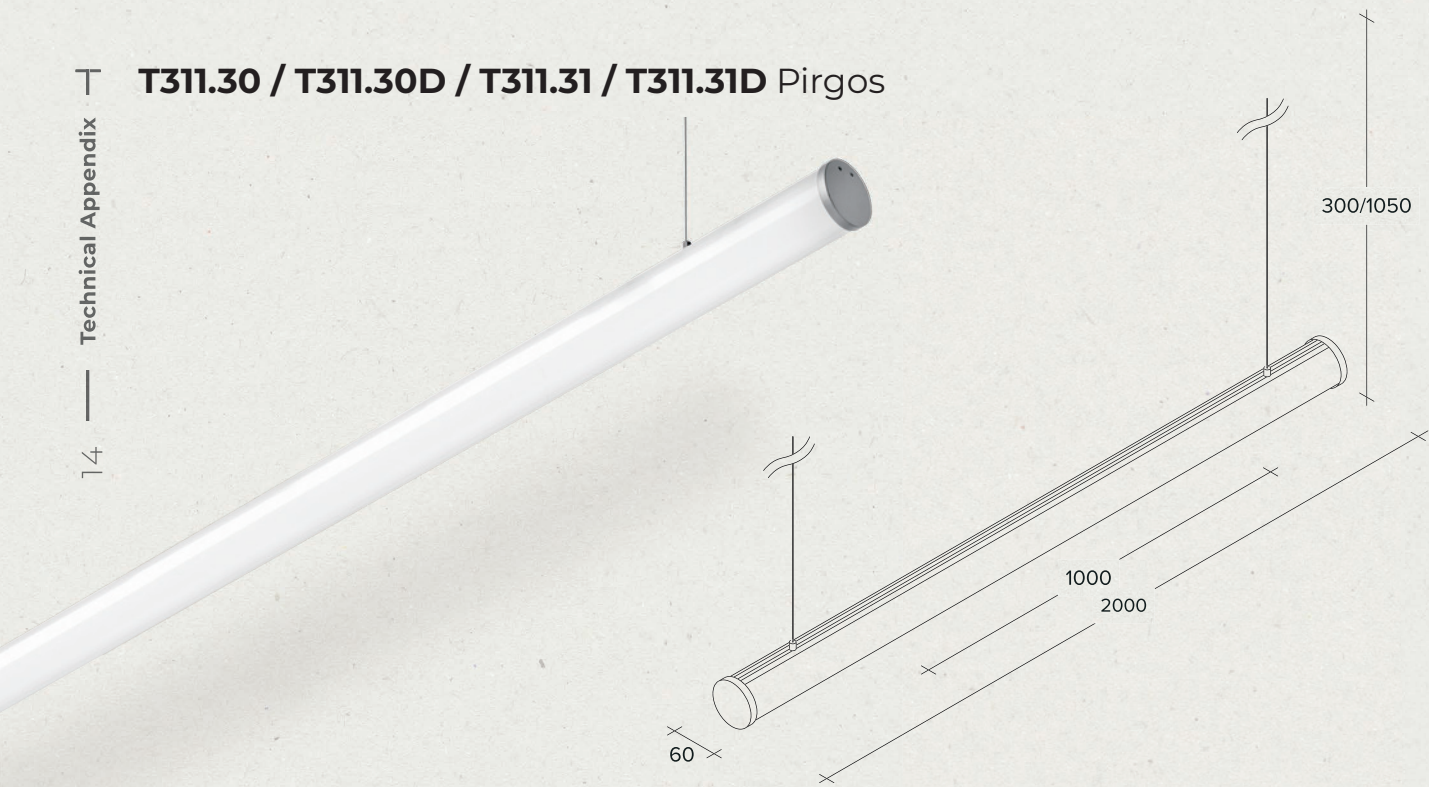
Designed by	Tecnico R&D
Material / Materiale / Material / Material / Материал	Aluminum and opal / Alluminio e opale / Aluminium und Opal / Aluminium u ópalo / Алюминий и опал
Light source / Fonte di luce / Lichtquelle / Fuente de luz / Источник света	LED (19.2 W/m)
Type-approvals / Omologazioni / Zulassungen / Homologaciones / Разрешения	CE  IP40

T311.10	T311.10.D	T311.11	T311.11.D
1000 mm		2000 mm	
19.2 W		38.4 W	
24 V		24 V	
3000 °K		3000 °K	
2000 Lumen		4000 Lumen	
	Dimmable / Dimmerabile / Dimmerfähig / Intensidad regulable / С регулируемой яркостью		Dimmable / Dimmerabile / Dimmerfähig / Intensidad regulable / С регулируемой яркостью




***Dimmable with normally open button**
 *Dimmerabile con pulsante normalmente aperto
 *Dimmerbar mit taste normalerweise offen
 *Intensidad luminosa no regulable con pulsador normalmente abierto
 *Диммируется с помощью технологий нормально разомкнутый контакт

T311.30 / T311.30D / T311.31 / T311.31D Pirgos



Opal polymeric suspension lamp.
Grey painted aluminium base with built-in power supply.

Designed by	Tecnico R&D
Material / Materiale / Material / Material / Материал	Aluminum and opal / Alluminio e opale / Aluminium und Opal / Aluminium u ópalo / Алюминий и опал
Light source / Fonte di luce / Lichtquelle / Fuente de luz / Источник света	LED (19,2 W/m)
Type-approvals / Omologazioni / Zulassungen / Homologaciones / Разрешения	CE  IP40

T311.30	T311.30.D	T311.31	T311.31.D
1000 mm		2000 mm	
19.2 W		38.4 W	
24 V		24 V	
3000 °K		3000 °K	
2000 Lumen		4000 Lumen	
	Dimmable / Dimmerabile / Dimmerfähig / Intensidad regulable / С регулируемой яркостью		Dimmable / Dimmerabile / Dimmerfähig / Intensidad regulable / С регулируемой яркостью

***Dimmable with normally open button**

*Dimmerabile con pulsante normalmente aperto

*Dimmerbar mit taste normalerweise offen



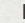
*Intensidad luminosa no regulable con pulsador normalmente abierto

*Диммируется с помощью технологий нормально разомкнутый контакт

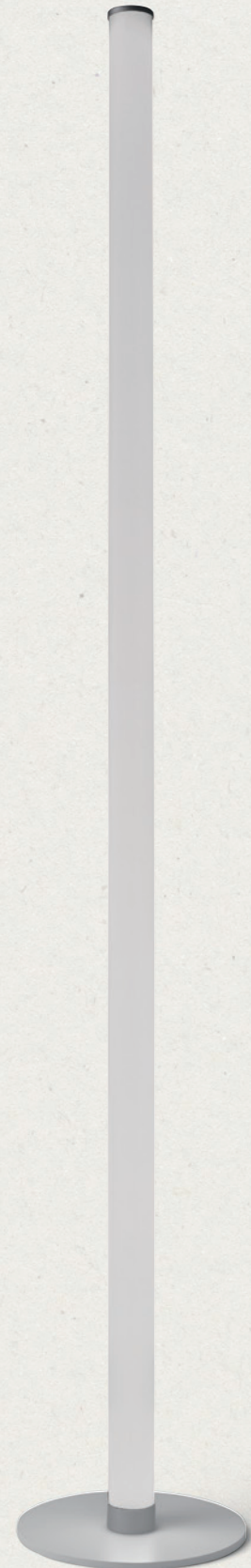
T311.50 Pirgos



Opal polymeric floor lamp with grey painted metal base with built-in dimmable power supply

Designed by	Tecnico R&D
Material / Materiale / Material / Material / Материал	Aluminum and opal / Alluminio e opale / Aluminium und Opal / Alumínio u ópalo / Алюминий и опал
Light source / Fonte di luce / Lichtquelle / Fuente de luz / Источник света	LED (19,2 W/m)
Type-approvals / Omologazioni / Zulassungen / Homologaciones / Разрешения	CE    IP40
T311.50	
2000 mm	
38.4 W	
24 V	
3000 °K	
4000 Lumen	

Foot operated dimmer switch / Dimmer a piede / Fußdimmer / Regulador de intensidad de pie / диммер с ножным управлением



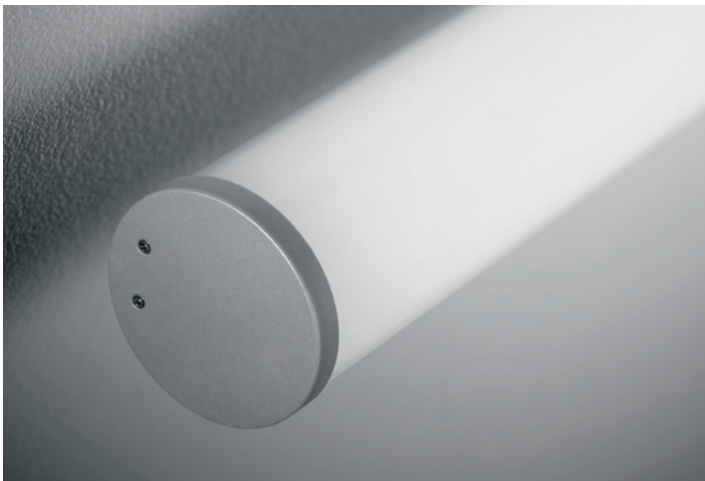




T311.10 Pirgos

Opal polymeric wall/ceiling lamp.
Grey painted metal base with built-in power supply
LED stripe 19,2W
Ø60 x 1000 mm





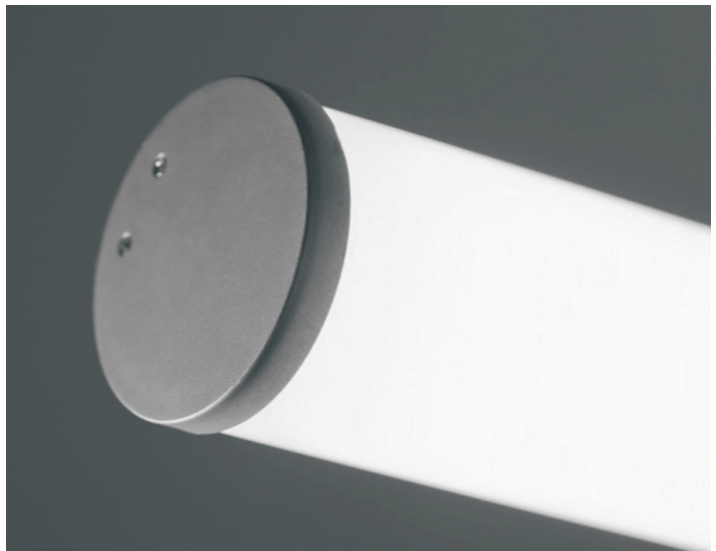
T311.11 Pirgos

Opal polymeric wall/ceiling lamp.
Grey painted metal base with built-in power supply
LED stripe 38,4W
Ø60 x 2000 mm



T311.30 / T311.31 Pirgos

Opal polymeric suspension lamp.
Grey painted metal base with built-in power supply.
Power cable height: 200 cm
LED stripe 19,2 / 38,4W
Ø60 x 1000/2000 mm







↑ → →

T311.50 Pirgos

Opal polymeric floor lamp with
 Grey painted metal canopy with
 built-in dimmable power supply
 LED stripe 38,4W
 Ø300 x 2000 mm

